

- Power Supply
- Switch-mode power supply
- DIN-Rail
- Standard
- Metal

- 115 / 230 V AC auto select
- 24 V DC
- 3.8 A
- 91.2 W



General attributes

Approvals / Conformity	CE cULus LISTED
Basic standard	EN 61204
Enclosure Type per IEC 60529	IP20
Indicator	DC ON DC LOW
Protection Class	I
Series	Standard
Short circuit protected	Forward characteristic
Short description	Switch-mode power supply
Trademark	GLOBAL
Electrical attributes	
Derating	-2.5 % / °C above +61 °C
Efficiency	85 % typ.
Frequency range	47...63 Hz
Input voltage range	90...132 V AC 180...264 V AC 210...375 V DC
Inrush current	< 24 A at 115 V AC < 48 A at 230 V AC
Insulation resistance	> 100 MΩ
Insulation voltage In-/Output	3000 V AC
Load control	±1 % single
Multi unit operation	Series operation: not possible Parallel op.: not possible
Number of outputs	1
Output power	91.2 W
Output voltage	24 V DC

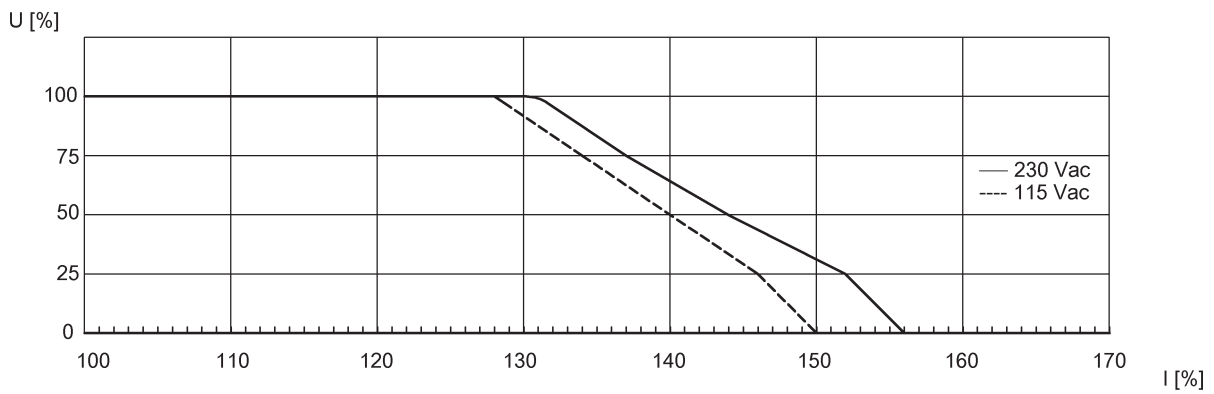
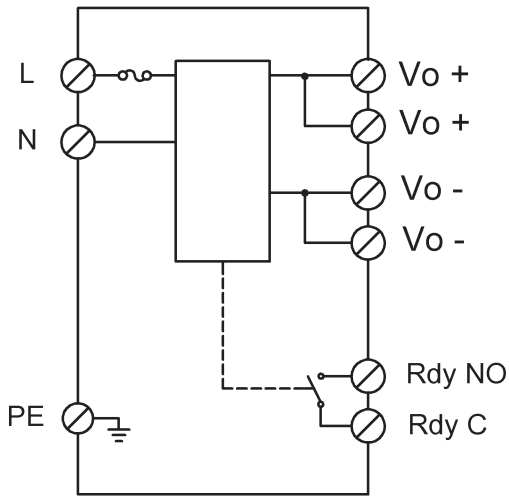
Output voltage tolerance	+1 %
Power-failure bridging	> 30 ms at 230 V AC > 25 ms at 115 V AC
Rated input current	830 mA at 230 V AC 2.2 A at 115 V AC
Rated input voltage	115 / 230 V AC auto select
Rated output current	3.8 A
Rated output voltage	24 V DC
Ripple	50 mV
Setting range	22.5...24.5 V DC
Settling time	2 ms
Switching frequency f	ca. 55 kHz
Switch-on time	< 1 s
Voltage control	+1 %

Mechanical attributes

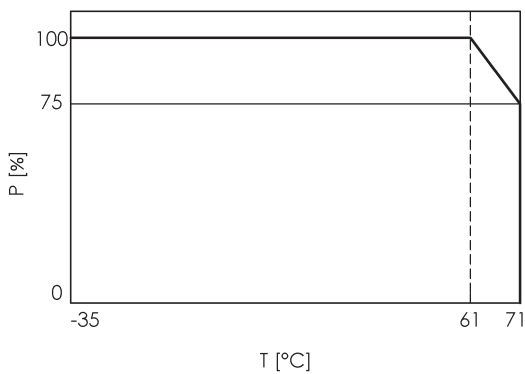
Ambient temperature Ta max.	70 °C
Ambient temperature Ta min.	-35 °C
Connection	Terminal 0.25 mm ² ... 4 mm ²
Cooling	Free convection
Housing material	Metal
Mounting type	DIN rail mounting
Overtemperature	protected
Relative humidity	20... 95 %, non-condensing
Storage temperature max.	85 °C
Storage temperature min.	-40 °C
Version	DIN-Rail

Additional text

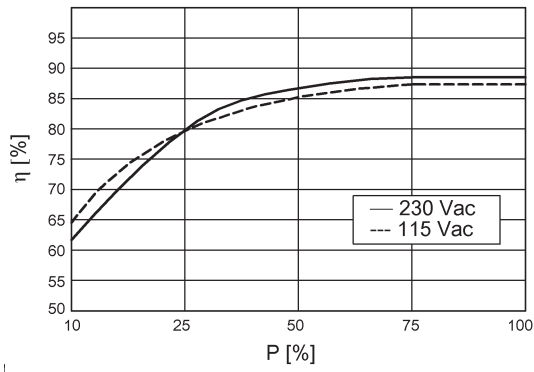
Values measured at +25 °C and full load



Current limitation (typ.)



Derating curve



L
Efficiency (typ.)