

KPR-SCE INTERFACE RELAYS



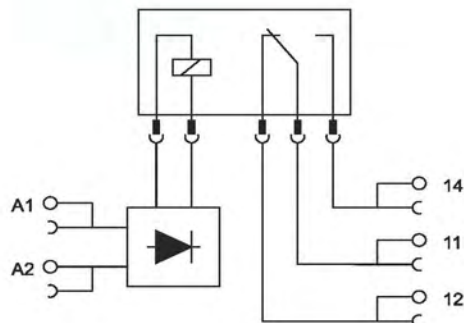
KPR-SCE Interface Relay

Type	Input Type
KPR-SCE-24VAC/DC-1C	24V AC/DC
KPR-SCE-110VAC/DC-1C	110V AC/DC
KPR-SCE-230VAC/DC-1C	230V AC/DC
KPR-SCE-12VDC-1C	12VDC

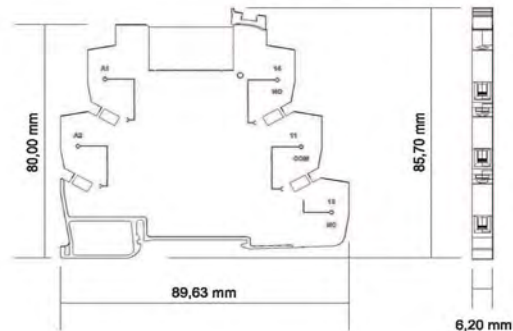


Contact type	1 CO
Contact material	AgSnO ₂
Contact rating (cosφ=1)	6A 250VAC / 30VDC
Max. switching voltage	400VAC / 125VDC
Max. switching current	6A
Max. switching power	1500VA / 180W
Mechanical life	1 x 10 ⁷ operations
Electrical life (UL approval)	(NO) 3 x 10 ⁴ operations (85°C) (NC) 1 x 10 ⁴ operations (85°C)
Isolation resistance	1000MΩ (500VDC)
Dielectric strength	
between relay coil and contacts	4000VAC 1 minute
between relay contacts	1000VAC 1 minute
Operate time (at nominal voltage)	10msn max
Release time (at nominal voltage)	5msn max
Humidity	%5 .. %85 (non-condensing)
Operating temperature	-40°C .. +85°C
Input voltage (U _N)	24V, 115V, 230V (AC/DC)
Operate voltage	%80 x U _N
Release voltage	%20 x U _N
Relay type (coil)	
24V (AC/DC)	24VDC, 170mW
115V, 230V (AC/DC)	60VDC, 210mW
Relay indicator	Green LED
Connection type	Screw terminals
Max. cable cross-section	2.5mm ²
Max. torque	0.4Nm
Mounting type	Rail mounted
Mounting rail	MR 35 x 7.5 / MR 35 x 15
Packaging unit	10 pcs

Block Diagram



Dimensions





Your business is our Number One priority.



Local Distributor:



13735 Beta Road
Dallas, Texas 75244
Tel. No. (972)233-6712
Fax No. (972)233-8039
www.shamrockcontrols.com