

Motor Starters



 **SHAMROCK
CONTROLS**

RoHS
Compliant

Contents

Motor Starters

Non-Reversing Starters (NEMA Type)	2
Reversing Starters (NEMA Type)	2
Quick Kits	2
Direct-On-Line Motor Starters (IEC)	3
Dimensions	4

Motor Starters

Non-Reversing, Reversing Starters (NEMA Type)

3 Pole Enclosed Full Voltage Non-Reversing Starters* (NEMA Type Enclosure)



TE1-D●

Maximum Current A		Maximum HP 3 Phase			Aux. Built-in	Contacts per contactor	Catalog Number
AC-3	AC-1	200V	230V	460V	NO	NC	
9	20	2	2	5	1	0	TE1-D0936-XX
12	25	3	3	7.5	1	0	TE1-D1236-XX
18	32	5	5	10	1	0	TE1-D1836-XX
25	40	5	7.5	15	1	0	TE1-D2536-XX
32	50	7.5	10	20	1	0	TE1-D3236-XX
40	60	10	10	30	1	1	TE1-D4036-XX
50	70	10	15	30	1	1	TE1-D5036-XX
65	80	15	20	40	1	1	TE1-D6536-XX
80	125	20	20	50	1	1	TE1-D8036-XX

3 Pole Enclosed Full Voltage Reversing Starters* (NEMA Type Enclosure)



TE2-D●

Maximum Current A		Maximum HP 3 Phase			Aux. Built-in	Contacts per contactor	Catalog Number
AC-3	AC-1	200V	230V	460V	NO	NC	
9	20	2	2	5	1	0	TE2-D0936-XX
12	25	3	3	7.5	1	0	TE2-D1236-XX
18	32	5	5	10	1	0	TE2-D1836-XX
25	40	5	7.5	15	1	0	TE2-D2536-XX
32	40	7.5	10	20	1	0	TE2-D3236-XX
40	50	10	10	30	1	1	TE2-D4036-XX
50	70	10	15	30	1	1	TE2-D5036-XX
65	80	15	20	40	1	1	TE2-D6536-XX
80	125	20	20	50	1	1	TE2-D8036-XX

* Overload Relay not included. Please select from page 8

Push Buttons & Pilot Lights "Quick Kits"



TA9●

Description	Catalog Number
ON / OFF Selector Switch	TA9C6
Hand-OFF-Auto Selector Switch	TA9C
Red or Green Pilot Light 120V	TA9P12
Start / Stop Push Button	TA9A
ON / OFF Selector Switch with Red or Green P / L	TA9C6P12
Start / Stop Push Button with Red Light or Green P / L	TA9AP12
Forward / Reverse / Stop Push Buttons	TA9A1
Hand / OFF / Auto Selector Switch with Red or Green P / L 120V	TA9CP12
Start / Stop Push Button with Red or Green Transformer P / L 120V	TA9AP5152
Transformer Red or Green Pilot Light 120V	TA9P5152
Hand / OFF / Auto Selector Switch with Red or Green Transformer P / L 120V	TA9CP5152

Replace XX with voltage code from table - 1

Table-1 : XX-AC Coil Voltages

Volts AC	24	48	110	120	208	220	240	277	380	415	440	480	575	600
50 Hz	B5	E5	F5			M5	U5		Q5	N5	R5			
60 Hz	B6	E6	F6	G6	L6	M6	U6	W6	Q6		R6	T6	S6	X6
50/60 Hz	B7	E7	F7	G7		M7	U7		Q7	N7	R7			

Motor Starters

Direct-On-Line Motor Starters (IEC)

Direct-On-Line Motor Starters in Sheet Steel Enclosures



BE1

Max. Motor Rating at 415V, 3 phase 50 Hz		Overload Relay Range (Amps)	Contactor Reference	Contactor AC3 duty Rating	Starter Catalogue Reference	Recommended Back-up HRC Fuse Rating	
kW	HP					(aM)	(gI)
0.37	0.5	0.63 to 1.00	TC1D12	12A	BE1-T1235■305	2	4
0.55	0.75	1.00 to 1.60	TC1D12	12A	BE1-T1235■306	2	4
1.1	1.5	1.60 to 2.50	TC1D12	12A	BE1-T1235■307	4	6
1.5	2	2.50 to 4.00	TC1D12	12A	BE1-T1235■308	6	10
2.2	3	4.00 to 6.00	TC1D12	12A	BE1-T1235■310	8	16
3.7	5	5.50 to 8.00	TC1D12	12A	BE1-T1235■312	12	20
4	5.5	7.00 to 10.0	TC1D12	12A	BE1-T1235■314	12	20
5.5	7.5	9.0 to 13.0	TC1D12	12A	BE1-T1235■316	16	25
9	12	12.0 to 18.0	TC1D18	18A	BE1-T1835■321	20	32
11	15	17.0 to 25.0	TC1D25	25A	BE1-T2535■322	25	50
15	20	23.0 to 32.0	TC1D32	32A	BE1-T3235■353	40	63
22	30	30.0 to 40.0	TC1D40	40A	BE1-T4035■355	63	-
25	35	37.0 to 50.0	TC1D50	50A	BE1-T5035■357	63	-
30	40	48.0 to 65.0	TC1D65	65A	BE1-T6535■359	63	-
37	50	55.0 to 70.0	TC1D65	65A	BE1-T6535■361	80	-



LE1D●

Direct-On-Line Motor Starters in Plastic Enclosures**

0.37	0.5	0.63 to 1.00	TC1D12	12A	LE1-D123■305	2	4
0.55	0.75	1.00 to 1.60	TC1D12	12A	LE1-D123■306	2	4
1.1	1.5	1.60 to 2.50	TC1D12	12A	LE1-D123■307	4	6
1.5	2	2.50 to 4.00	TC1D12	12A	LE1-D123■308	6	10
2.2	3	4.00 to 6.00	TC1D12	12A	LE1-D123■310	8	16
3.7	5	5.50 to 8.00	TC1D12	12A	LE1-D123■312	12	20
4	5.5	7.00 to 10.0	TC1D12	12A	LE1-D123■314	12	20
5.5	7.5	9.0 to 13.0	TC1D12	12A	LE1-D123■316	16	25
9	12	12.0 to 18.0	TC1D18	18A	LE1-D183■321	20	32
11	15	18.0 to 25.0	TC1D25	25A	LE1-D253■322	25	50

** Standard Fault Ratings U_L S_F

Replace ■ with voltage code from Table - 2

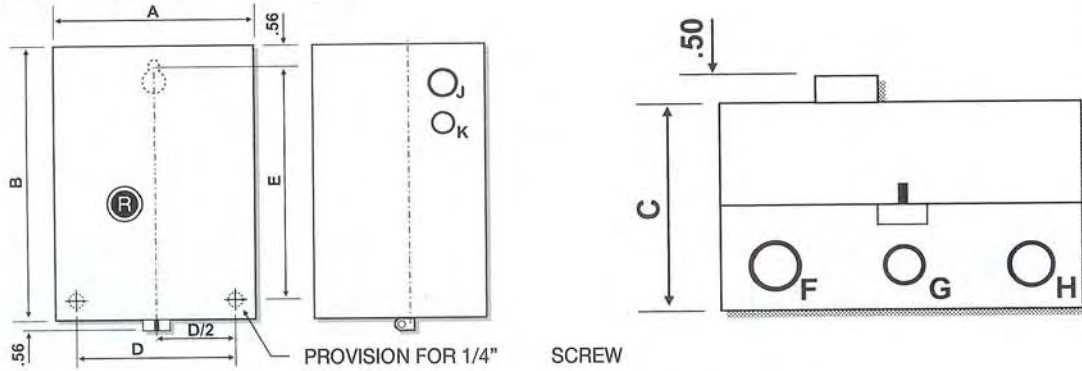
Table-2 : ■-AC Coil Voltages

Volts AC	24	48	110	120	208	220	240	277	380	415	440	480	575	600
50 Hz	B5	E5	F5	-	-	M5	U5	-	Q5	N5	R5	-	-	-
60 Hz	B6	E6	F6	G6	L6	M6	U6	W6	Q6	-	R6	T6	S6	X6
50/60 Hz	B7	E7	F7	G7	-	M7	U7	-	Q7	N7	R7	-	-	-

Motor Starters

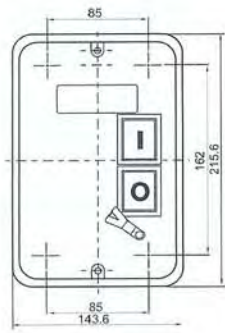
Dimensions

Non-Reversing/Reversing

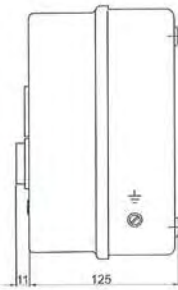


Type of Starter		Box Dimensions									
Non-Reversing	Reversing	A	B	C	D	E	F	G	H	J	K
D09-25	-	6.77	10.04	6.25	5.38	9.00	1 - 1/4	1 1/4_34	-	1 - 1/4	1 1/2_34
D32-50	D09-32	8.66	10.83	7.21	7.25	9.75	1 1/4 - 1/2	1 1/2_34	1 - 1/4	1 - 1/4	1 1/2_34
D65-80	D40-82	10.63	13.98	7.21	9.22	12.94	1 1/4 - 1/2	1 1/2_34	1 - 1/4	1 - 1/4	1 1/2_34

Direct-ON-Line (Sheet Steel/Plastic)

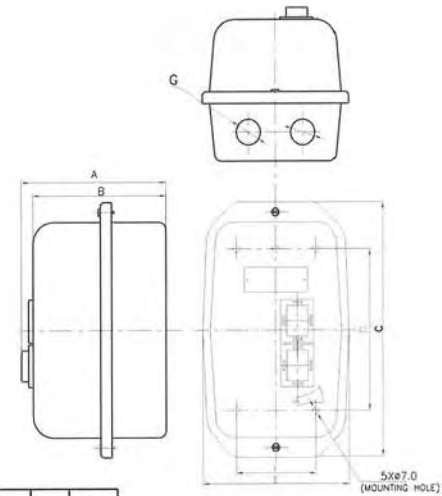


Size - B

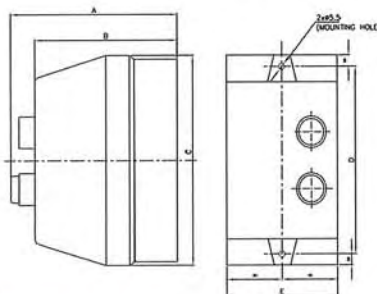
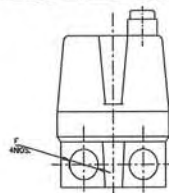


TABLE

ENCLO. SIZE	STARTER REFERENCE	HP RATING	A	B	C	D	E	F	G
'B' SIZE	BE1-T2535 - 3235	15.0-20.0	147	135	252	162	156	85	5xø27
'C' SIZE	BE1-T4035 - 8035	30.0-60.0	172	160	299	165	201	105	4xø27



Size - C



TABLE

ENCLO. SIZE	STARTER REFERENCE	HP RATING	A	B	C	D	E	F
'A' SIZE	LE1-D1235	0.5-7.5	140	120	166	150	88	4xø14
'B' SIZE	LE1-D1835 - 3235	12.0-20.0	155	135	185	165	101	4xø20



Local Distributor



SHAMROCK CONTROLS

13735 Beta Road • Dallas, Texas • 75244
Ph: (972) 233-6712 • Fax: (972) 233-8039
www.shamrockcontrols.com